



[DCA HOME](#) | [ABOUT DCA](#) | [DCA PROGRAMS](#) | [CONTACT DCA](#)

[BCIS Home](#) | [Log In](#) | [User Registration](#) | [Hot Topics](#) | [Submit Surcharge](#) | [Stats & Facts](#) | [Publications](#) | [FBC Staff](#) | [BCIS Site Map](#) | [Links](#) | [Search](#)



Product Approval
USER: Public User

[Product Approval Menu](#) > [Product or Application Search](#) > [Application List](#) > **Application Detail**

- ▶ COMMUNITY PLANNING
- ▶ HOUSING & COMMUNITY DEVELOPMENT
- ▶ EMERGENCY MANAGEMENT
- ▶ OFFICE OF THE SECRETARY

FL # Application Type Code Version Application Status Comments Archived Product Manufacturer Address/Phone/Email Authorized Signature Technical Representative Address/Phone/Email Quality Assurance Representative Address/Phone/Email Category Subcategory Compliance Method Florida Engineer or Architect Name who developed the Evaluation Report Florida License Quality Assurance Entity Quality Assurance Contract Expiration Date Validated By Certificate of Independence Referenced Standard and Year (of Standard) Equivalence of Product Standards Certified By Sections from the Code	FL13579 New 2007 Approved <input type="checkbox"/> All American Shutters and Glass 1638 Donna Road West Palm Beach, FL 33409 (561) 712-9882 Don@allamericanshutters.com Frank Bennardo frank@engexp.com Shutters Storm Panels Evaluation Report from a Florida Registered Architect or a Licensed Florida Professional Engineer <input checked="" type="checkbox"/> Evaluation Report - Hardcopy Received Frank L. Bennardo, P.E. PE-0046549 National Accreditation and Management Institute 12/31/2010 Stephen R. Walsh P.E. <input checked="" type="checkbox"/> Validation Checklist - Hardcopy Received FL13579_R0_COI_Cert_Indep1.pdf FL13579_R0_COI_Cert_Indep2.pdf <table border="0"> <thead> <tr> <th style="text-align: left;">Standard</th> <th style="text-align: left;">Year</th> </tr> </thead> <tbody> <tr> <td>TAS 201</td> <td>1994</td> </tr> <tr> <td>TAS 202</td> <td>1994</td> </tr> <tr> <td>TAS 203</td> <td>1994</td> </tr> </tbody> </table>	Standard	Year	TAS 201	1994	TAS 202	1994	TAS 203	1994
Standard	Year								
TAS 201	1994								
TAS 202	1994								
TAS 203	1994								

March 3, 2010

Florida Department of Community Affairs
2555 Shumard Oak Boulevard
Tallahassee, FL 32399

Regarding: All American Shutters and Glass
Quick Mount 50 Storm Panel (Non-HVHZ)
Project #10-AAS-0002b

To Whom It May Concern:

Please be advised that the below-signed engineer does not have nor will acquire a financial interest in the company manufacturing or distributing the product(s) for which an evaluation report or validation certification has been prepared, as referenced above. This engineer is not owned, operated, nor controlled by the manufacturer or distributor noted above and does not have any financial interest in any other entity involved in the approval process of the above-noted product(s).

Respectfully,



FRANK L. BENNARDO
LICENSE
MAR 03 2010
STATE OF
Frank L. Bennardo, P.E.
Frank L. Bennardo, P.E., Inc.
FL PE 0046549
Cert of Auth #9885

Product Evaluation Report

March 3, 2010

Application Number: _____
FLB Project Number: 10-AAS-0002b

Product Manufacturer: All American Shutters and Glass
Manufacturer Address: 1540 Donna Road
West Palm Beach, FL 33409

Product Name & Description: Quick Mount 50 0.050" Aluminum Storm Panel (Non-HVHZ)

Scope of Evaluation:

This Product Evaluation Report is being issued in accordance with the requirements of the Florida Department of Community Affairs (Florida Building Commission) Rule Chapter 9B-72.070, F.A.C., for statewide acceptance per Method 1(d). All products listed above have been tested and/or evaluated as summarized herein to show compliance with the 2007 Florida Building Code and are, for the purpose intended, at least equivalent to that required by the Code. Re-evaluation of this product shall be required following pertinent Florida Building Code modifications or revisions.

Substantiating Data:

- **PRODUCT EVALUATION DOCUMENTS**

FLB drawing #10-AAS-0002b titled "Quick Mount 50 0.050" Aluminum Storm Panel (Non-HVHZ)", sheets 1-6, prepared by Engineering Express, signed & sealed by Frank L. Bennardo, P.E. is an integral part of this Evaluation Report.

- **TEST REPORTS**

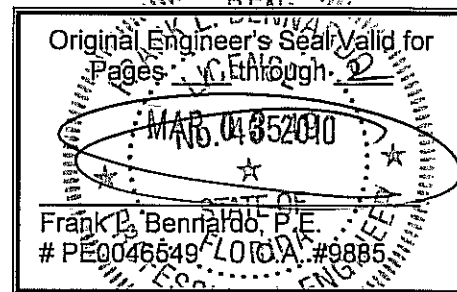
Uniform static structural performance has been tested in accordance with TAS 202 test standards per test report(s) #00-002 by Construction Testing Corporation (CTC).

Large missile impact resistance and cyclic loading performance have been tested in accordance with TAS 201 & 203 test standards per test report(s) #00-002ABP and #00-025 by Construction Testing Corporation (CTC).

- **STRUCTURAL ENGINEERING CALCULATIONS**

Structural engineering calculations have been prepared which evaluate the product based on comparative and/or rational analysis to qualify the following design criteria:

1. Maximum Allowable Spans
2. Minimum Allowable Spans
3. System Porosity
4. Anchor Spacing
5. Maximum Allowable Size/Pressure Combinations



No 33% increase in allowable stress has been used in the design of this product.

When installed outside the HVHZ, this system has been designed as a non-porous assembly as defined in the ASTM E1996-02 standard. Therefore, a minimum separation between the shutter and any glazing behind it is NOT required outside the HVHZ.

Impact Resistance:

Large Missile Impact Resistance has been demonstrated as evidenced in previously listed test reports, and is accounted for in the engineering design of this product.

Wind Load Resistance

This product has been designed to resist wind loads as indicated in the span schedule(s) on the respective Product Evaluation Document (i.e. engineering drawing).

Installation

This product listed above shall be installed in strict compliance with the respective Product Evaluation Document (i.e. engineering drawing), along with all components noted therein.

Product components shall be of the material specified in that product's respective Product Evaluation Document (i.e. engineering drawing).

Limitations & Conditions of Use:

Use of this product shall be in strict accordance with the respective Product Evaluation Document (i.e. engineering drawing) as noted herein.

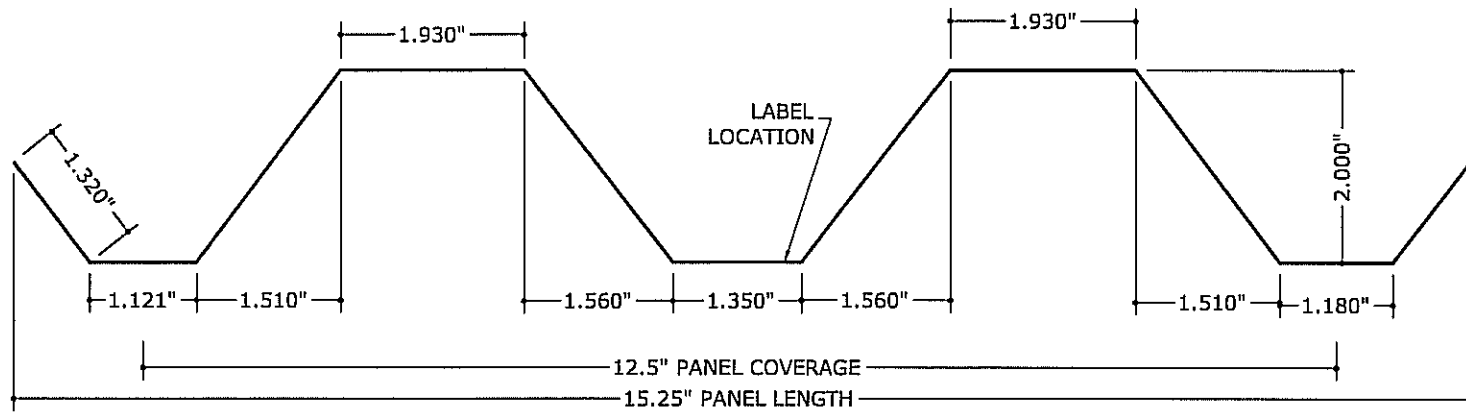
All supporting host structures shall be designed to resist all superimposed loads and shall be of a material listed in this product's respective anchor schedule. Host structure conditions which are not accounted for in this product's respective anchor schedule shall be designed for on a site-specific basis by a registered professional engineer.

All components which are permanently installed shall be protected against corrosion, contamination, and other such damage at all times.

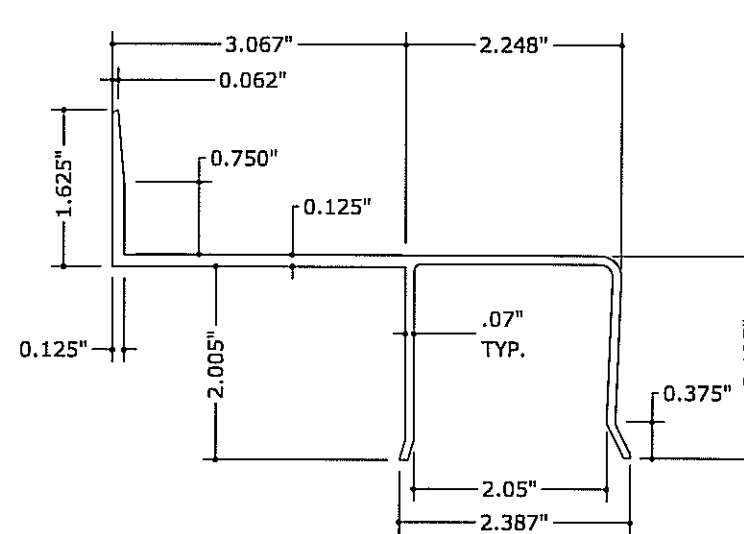
This product has NOT been designed for use within the High Velocity Hurricane Zone (HVHZ).

QUICK MOUNT 50

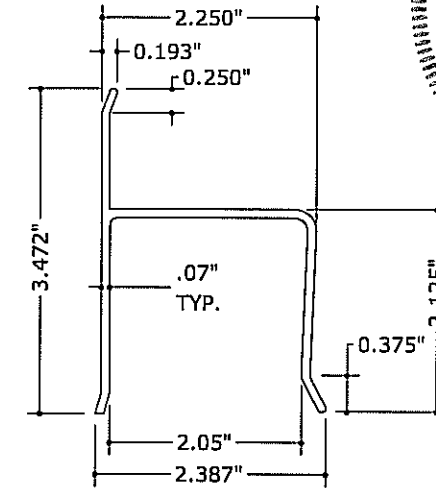
0.050" ALUMINUM STORM PANEL (NON-HVHZ)



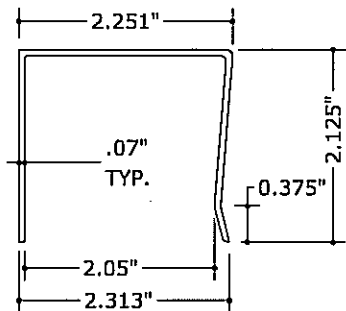
1 STORM PANEL
6"=1'-0"



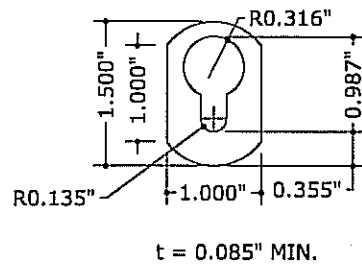
2 BUILDOUT "H" HEADER
6"=1'-0"



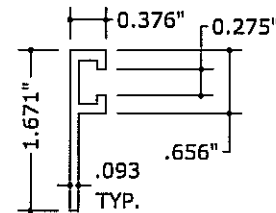
3 "H" HEADER
6"=1'-0"



4 "U" HEADER
6"=1'-0"



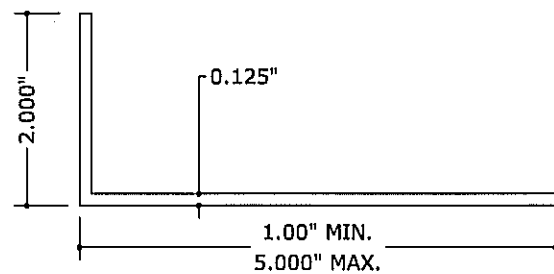
5 KEYHOLE WASHER
6"=1'-0" (OPTIONAL)



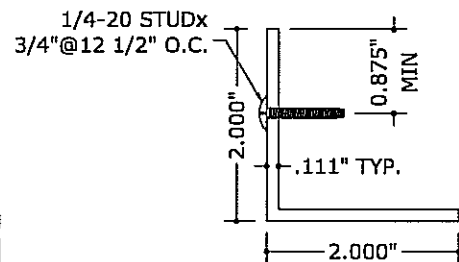
8 "F" TRACK
6"=1'-0"

GENERAL NOTES

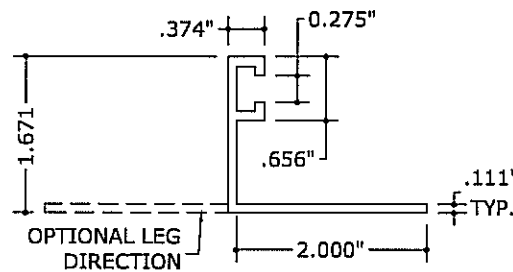
1. THE SYSTEM DESCRIBED HEREIN HAS BEEN DESIGNED AND TESTED IN ACCORDANCE WITH THE 2007 FLORIDA BUILDING CODE, FOR USE OUTSIDE THE HIGH VELOCITY HURRICANE ZONE, PER TAS 201 / 202 / 203 TEST PROTOCOLS.
2. NO 33-1/3% INCREASE IN ALLOWABLE STRESS HAS BEEN USED IN THE DESIGN OF THIS SYSTEM. WIND LOAD DURATION FACTOR Cd=1.6 HAS BEEN USED FOR WOOD ANCHOR DESIGN.
3. POSITIVE AND NEGATIVE DESIGN PRESSURES CALCULATED FOR USE WITH THIS SYSTEM SHALL BE DETERMINED BY OTHERS ON A JOB-SPECIFIC BASIS IN ACCORDANCE WITH THE GOVERNING CODE.
4. MULTIPLE UNITS MAY BE INSTALLED TO UNLIMITED WIDTH AS SHOWN.
5. THE SYSTEM DETAILED HEREIN IS GENERIC AND DOES NOT PROVIDE INFORMATION FOR A SPECIFIC SITE. FOR SITE CONDITIONS DIFFERENT FROM THE CONDITIONS DETAILED HEREIN, A LICENSED ENGINEER OR REGISTERED ARCHITECT SHALL PREPARE SITE SPECIFIC DOCUMENTS FOR USE IN CONJUNCTION WITH THIS DOCUMENT.
6. PERMIT HOLDER SHALL VERIFY THE ADEQUACY OF THE EXISTING STRUCTURE TO WITHSTAND SUPERIMPOSED LOADS. WOOD BUCKS (BY OTHERS) SHALL BE ANCHORED PROPERLY TO TRANSFER LOADS TO THE EXISTING STRUCTURE.
7. ALL STORM PANELS SHALL BE 3004-H34 ALUMINUM ALLOY WITH MINIMUM THICKNESS t=0.050".
8. ALL EXTRUSIONS SHALL BE 6063-T6 ALUMINUM ALLOY, UNLESS NOTED OTHERWISE.
9. PRODUCT MARKINGS SHALL BE PLACED ON OUTSIDE OF STORM PANEL WITH AT LEAST ONE MARKING EVERY THREE FEET AND SHALL BE PERMANENTLY LABELED WITH AT A MINIMUM THE FOLLOWING INFORMATION:
ALL AMERICAN SHUTTERS AND GLASS
WEST PALM BEACH, FL
TAS 201, 202 & 203
FLORIDA PRODUCT APPROVAL NUMBER



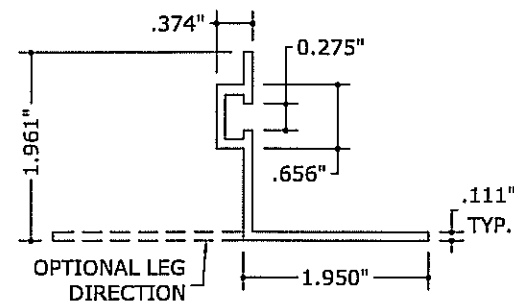
6 ANGLE
6"=1'-0"



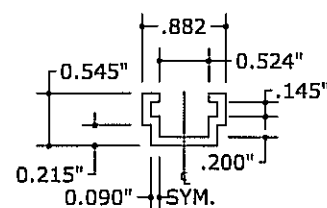
7 STUD ANGLE
6"=1'-0"



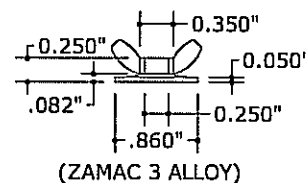
9 "F" ANGLE
6"=1'-0"



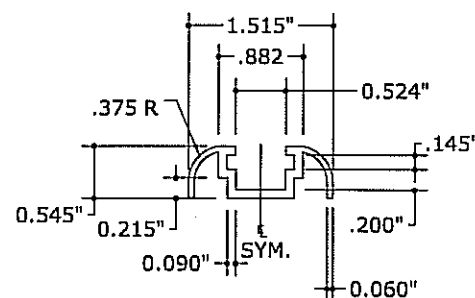
10 REV. "F" ANGLE
6"=1'-0"



11 "C" TRACK
6"=1'-0"



12 WASHERED WINGNUT
6"=1'-0"



13 DECORATIVE "C" TRACK
6"=1'-0"

FRANK L. BENNARDO, P.E.
#PE0046549
03/03/2010
No. 46549
ENGINEERING EXPRESS
160 SW 12th AVENUE, #300
DEERFIELD BEACH, FL 33442
PH: (954) 354-0660 FAX: (954) 359-0443
WWW.ENGP.COM/EE
CERT. OF AUTH. #8888
A. FRANK L. BENNARDO, P.E., INC. INNOVATION

ALL AMERICAN SHUTTERS AND GLASS
1540 DONNA ROAD
WEST PALM BEACH, FL 33409
(561) 712-9882
QUICK MOUNT 50
0.050" ALUMINUM STORM PANEL (NON-HVHZ)
FLORIDA STATEWIDE APPROVAL

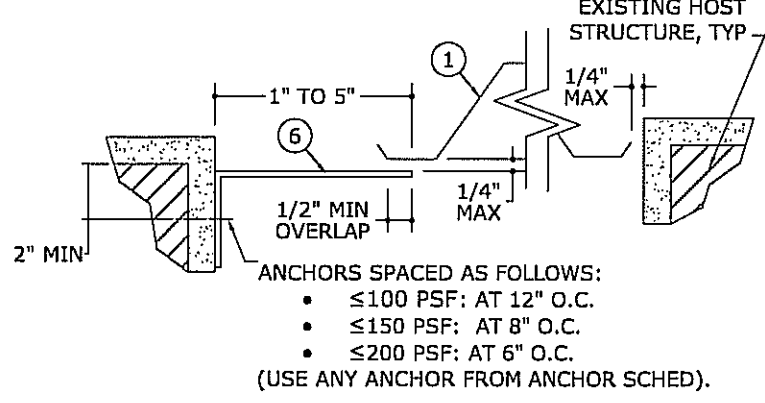
DATE	DRWN	CHKD	FLB	FLB
03/03/10	KL			

REMARKS
INITIALS

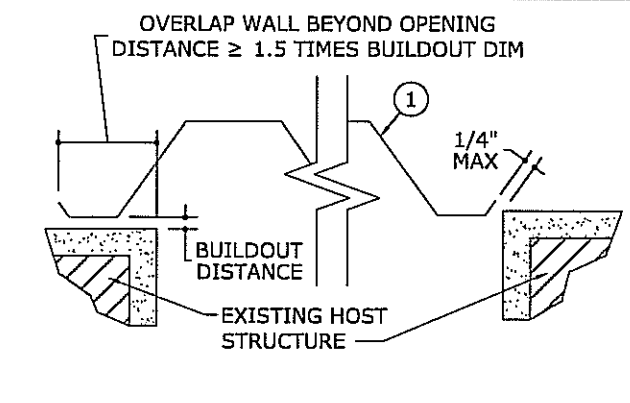
THIS DOCUMENT IS THE PROPERTY OF FRANK L. BENNARDO, P.E. ANY REPRODUCTION IN WHOLE OR PART WITHOUT THE WRITTEN CONSENT OF FRANK L. BENNARDO, P.E. IS STRICTLY PROHIBITED. ANY REPRODUCTION OF THIS DOCUMENT IS NOT PERMITTED AND WILL BE PROSECUTED TO THE FULL EXTENT OF THE LAW.

COPYRIGHT FRANK L. BENNARDO, P.E.
10-AAS-0002b
SCALE: 101
PAGE DESCRIPTION:
1 OF 6

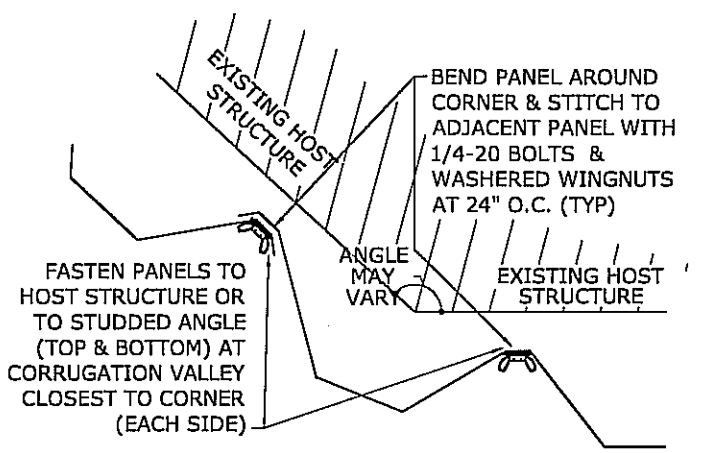
F:\01 Project Files\All American Shutters (AAS)\2010\10-AAS-0002_HFLB211 FSA Name Change\06-AAS-0002_01a Non-HVHZ Quick Mount 50 Aluminum Storm Panel.dwg
03/03/2010 - 2:50pm
kalih



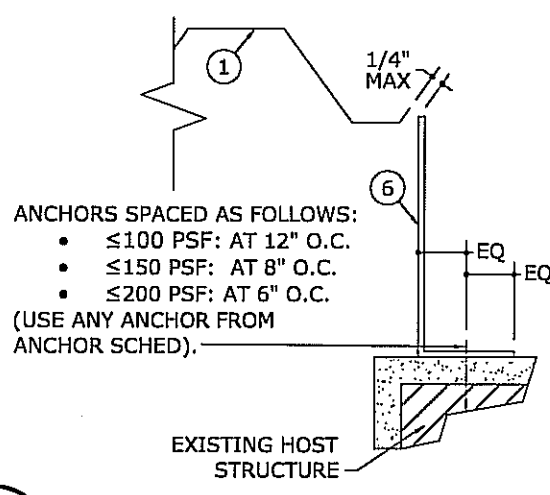
1 TRAP MOUNT CLOSURE
2 N.T.S. HORIZ SECTION



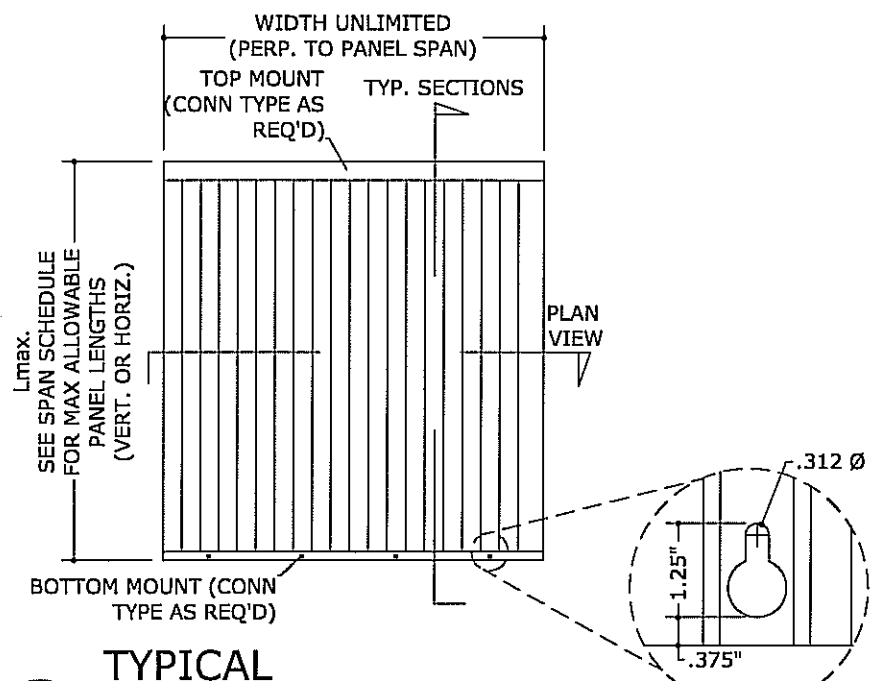
2 WALL MOUNT CLOSURE
2 N.T.S. HORIZ SECTION



3 CORNER CLOSURE
2 N.T.S. HORIZ SECTION



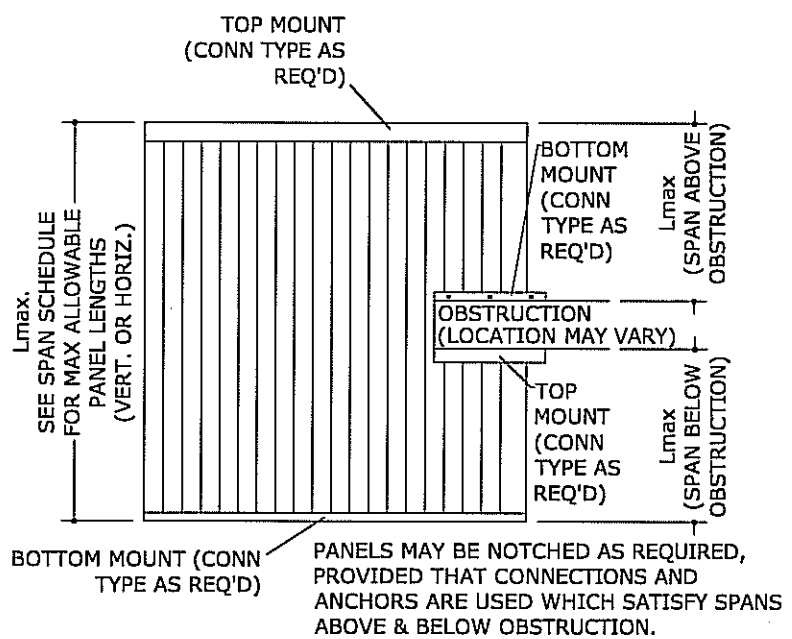
4 BUILD-OUT CLOSURE
2 N.T.S. HORIZ SECTION



5 TYPICAL VERTICAL MOUNT
2 N.T.S. ELEV



6 KEY HOLE SLOT (TYPICAL TOP AND BOTTOM)
2 N.T.S. ELEV



7 VERTICAL MOUNT NOTCHED PANELS
2 N.T.S. ELEV

SPAN SCHEDULE

DESIGN LOAD	MAX PANEL SPAN
30 PSF	11'-1"
35 PSF	10'-8"
40 PSF	10'-4"
45 PSF	10'-0"
50 PSF	9'-9"
55 PSF	9'-6"
60 PSF	9'-4"
62 PSF	9'-3"
65 PSF	9'-1"
70 PSF	8'-9"
72 PSF	8'-7"
75 PSF	8'-3"
80 PSF	7'-9"
90 PSF	6'-10"
100 PSF	6'-2"
110 PSF	5'-7"
120 PSF	5'-2"
130 PSF	4'-9"
140 PSF	4'-5"
150 PSF	4'-1"
160 PSF	3'-10"
170 PSF	3'-7"
180 PSF	3'-5"
190 PSF	3'-3"
200 PSF	3'-1"
210 PSF	2'-11"
220 PSF	2'-9"
230 PSF	2'-8"

SPAN SCHEDULE NOTES:

1. SPANS SHOWN IN "MAX SPAN SCHEDULE" ABOVE ARE MAXIMUM ALLOWABLE SPANS AT EACH RESPECTIVE DESIGN PRESSURE. THIS SCHEDULE MAY BE USED FOR ALL PANELS MOUNTED WITH ANY COMBINATION OF EXTRUSIONS OR DIRECTLY TO HOST STRUCTURE.
2. TABLES ABOVE ARE VALID FOR PANELS MOUNTED HORIZONTALLY OR VERTICALLY.
3. INTERPOLATION BETWEEN LOADS IS ACCEPTABLE, OTHERWISE USE NEXT HIGHER LOAD.

FRANK L. BENNARDO, P.E.
#00046549

03/03/2010

No. 46549

ENGINEERING EXPRESS

160 SW 12th AVENUE, #308
DEERFIELD BEACH, FL 33442
PH: (954) 354-0660 FAX: (954) 354-0443
WWW.ENGINEERINGEXPRESS.COM

CERT. OF AUTH #985
A FRANK L. BENNARDO, P.E., INC. INNOVATION

ALL AMERICAN SHUTTERS AND GLASS

1540 DONNA ROAD
WEST PALM BEACH, FL 33409
(561) 712-9882

QUICK MOUNT 50
ALUMINUM STORM PANEL (NON-HVHZ)
FLORIDA STATEWIDE APPROVAL

DRWN/CHKD	DATE
KL	03/03/10

REMARKS

INIT. ISSUE

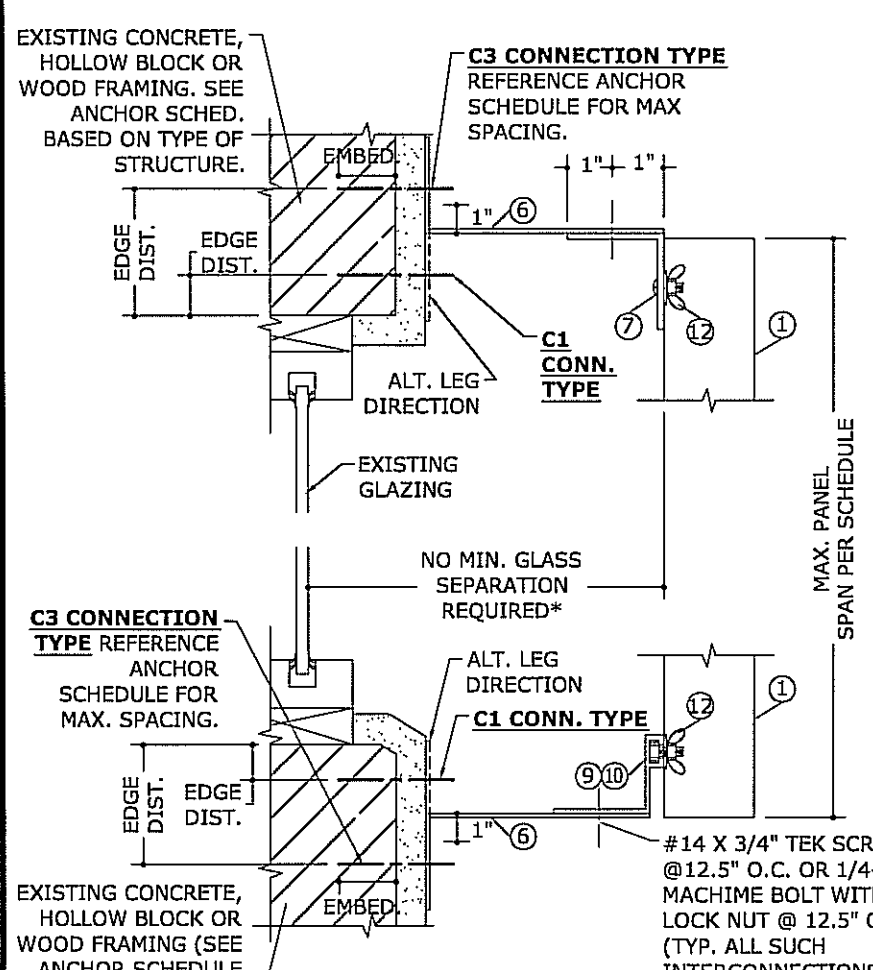
THIS DOCUMENT IS THE PROPERTY OF ENGINEERING EXPRESS AND SHALL NOT BE REPRODUCED IN ANY MANNER WITHOUT THE WRITTEN PERMISSION OF ENGINEERING EXPRESS. ANY ALTERATIONS, ADDITIONS, DELETIONS, OR OTHER MARKINGS TO THIS DOCUMENT ARE NOT PERMITTED AND WILL BE AT THE USER'S RISK.

COPYRIGHT FRANK L. BENNARDO, P.E.

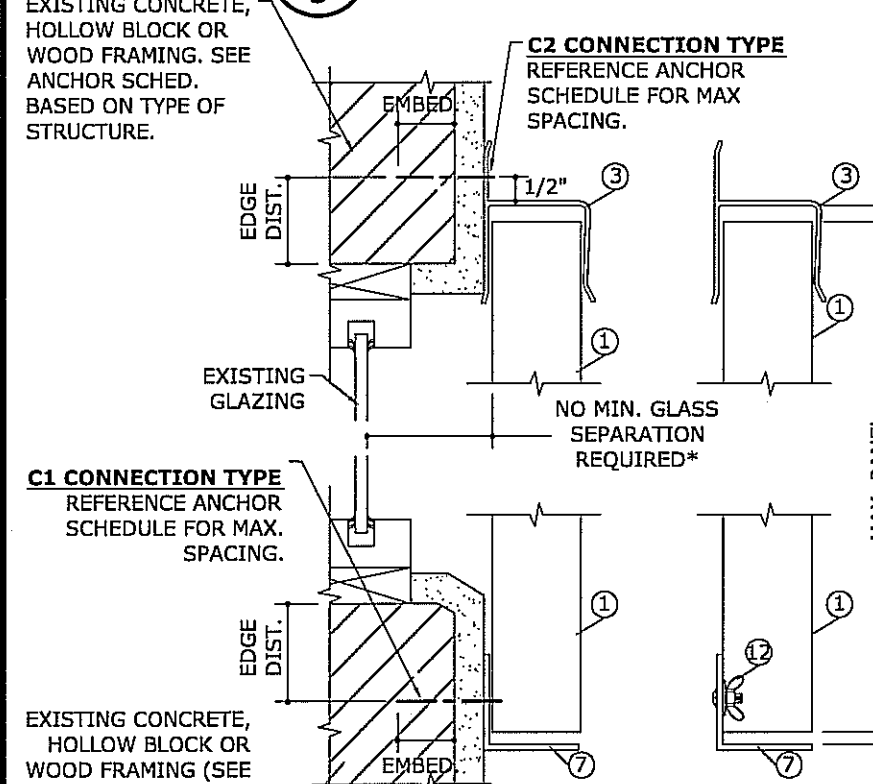
10-AAS-0002b

SCALE: 1 OF 1

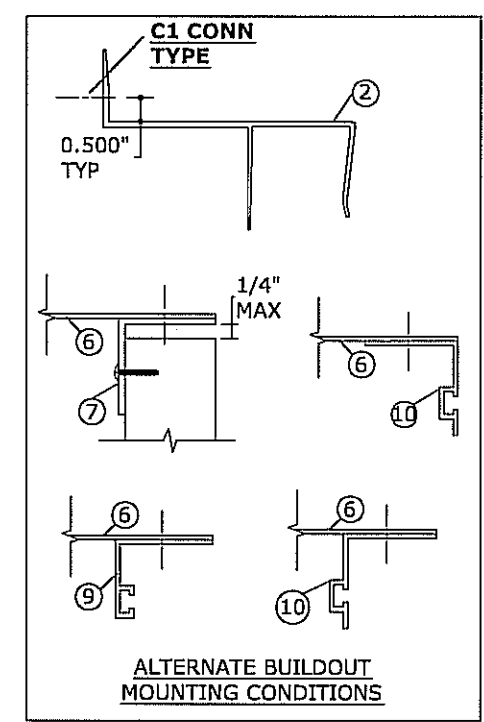
PAGE DESCRIPTION:



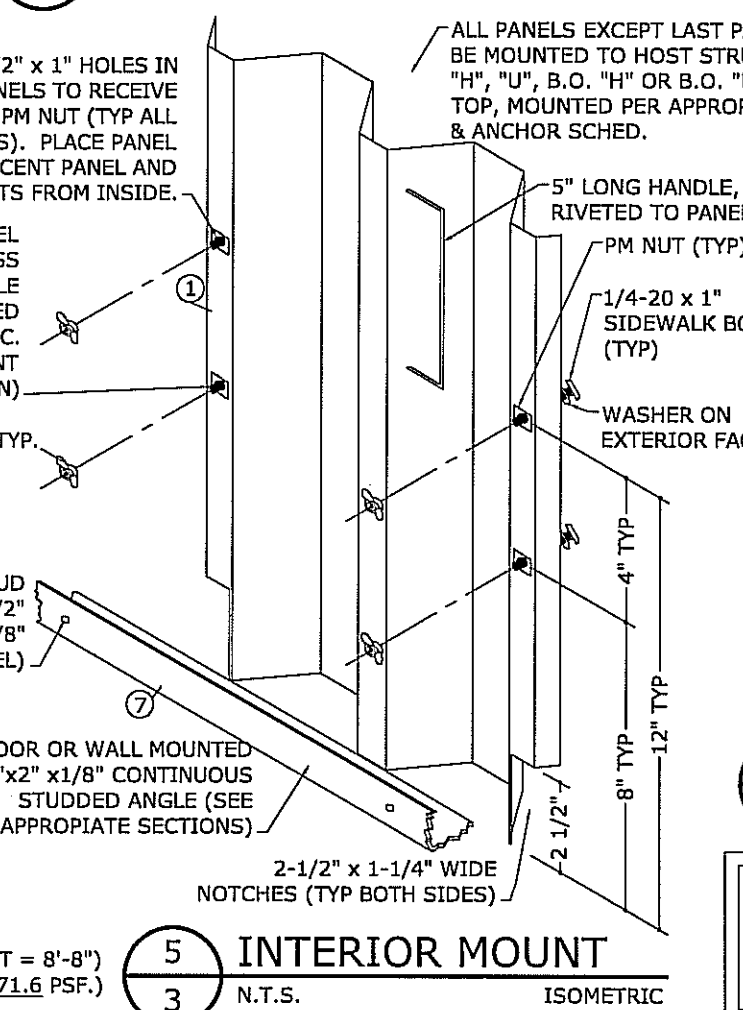
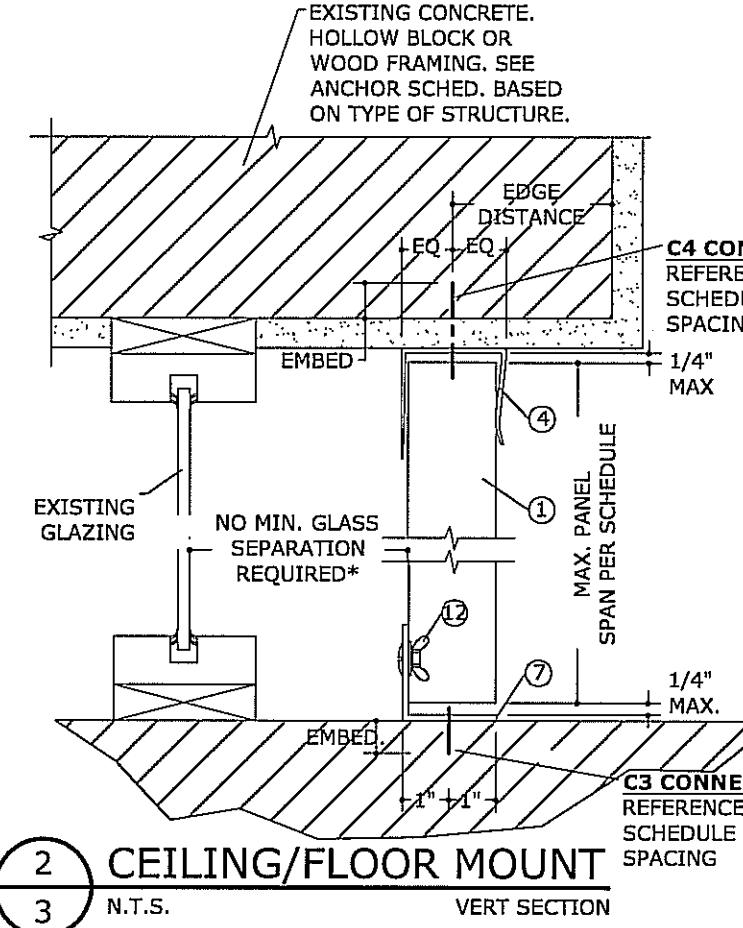
1 BUILDOUT MOUNT
 3 N.T.S. VERT SECTION



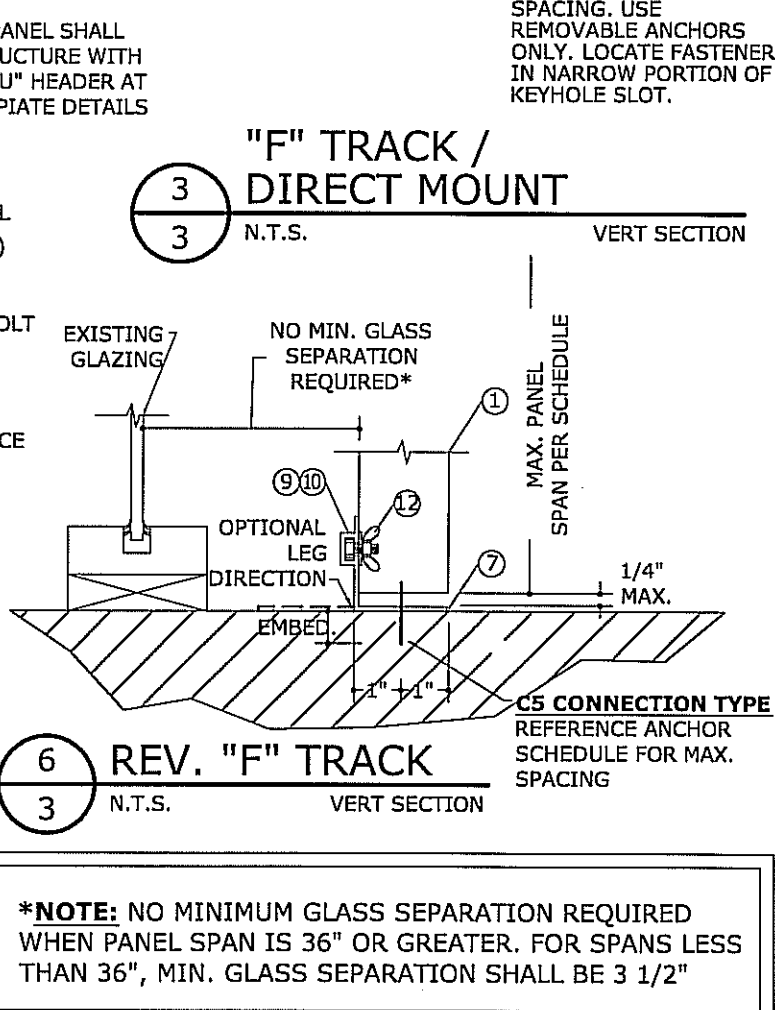
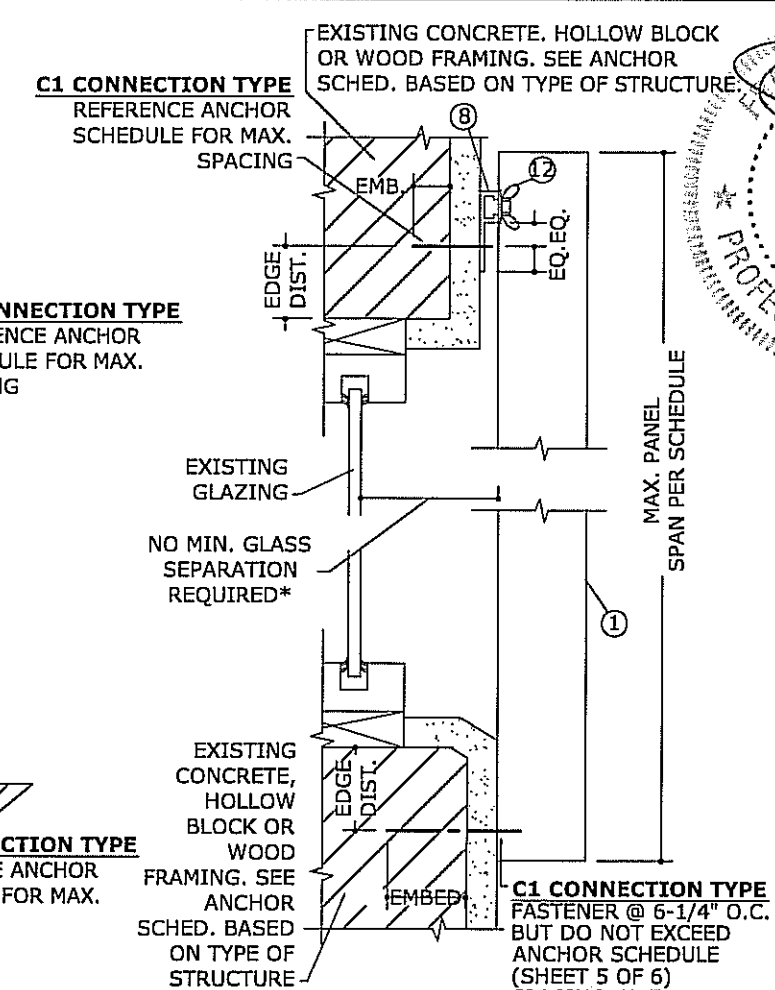
4 "H" HEADER / STUD ANGLE MOUNT
 3 N.T.S. VERT SECTION



2 CEILING/FLOOR MOUNT
 3 N.T.S. VERT SECTION



5 INTERIOR MOUNT
 3 N.T.S. ISOMETRIC



6 REV. "F" TRACK
 3 N.T.S. VERT SECTION

***NOTE:** NO MINIMUM GLASS SEPARATION REQUIRED WHEN PANEL SPAN IS 36" OR GREATER. FOR SPANS LESS THAN 36", MIN. GLASS SEPARATION SHALL BE 3 1/2"

FRANK L. BENNARDO, P.E.
 #PE0046549
 03/03/2010
 No. 46549
ENGINEERING EXPRESS
 160 SW 12th AVENUE, #108
 DEERFIELD BEACH, FL 33442
 PH: (954) 354-0660 FAX: (954) 354-0843
 WWW.ENGP.COM
 CERT. OF AUTH. #9885
 A. FRANK L. BENNARDO, P.E., INC. INNOVATION

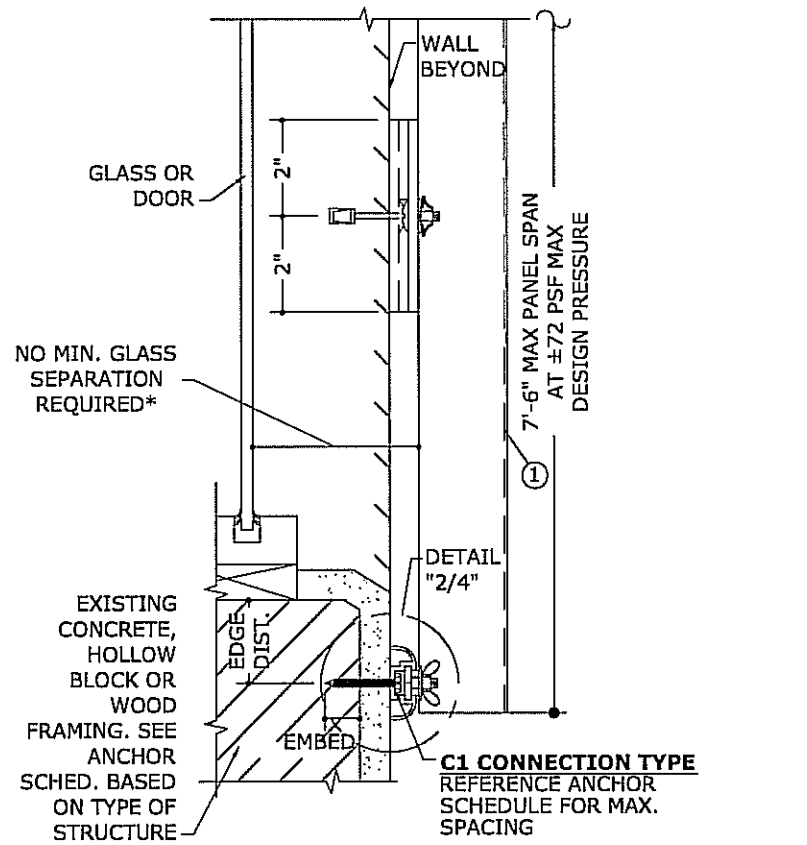
ALL AMERICAN SHUTTERS AND GLASS
 1540 DONNA ROAD
 WEST PALM BEACH, FL 33409
 (561) 712-9882
 QUICK MOUNT 50
 0.050" ALUMINUM STORM PANEL (NON-HVHZ)
 FLORIDA STATEWIDE APPROVAL

DRWN	CHKD	DATE	INIT	ISSUE
KL	FLB	03/03/10		

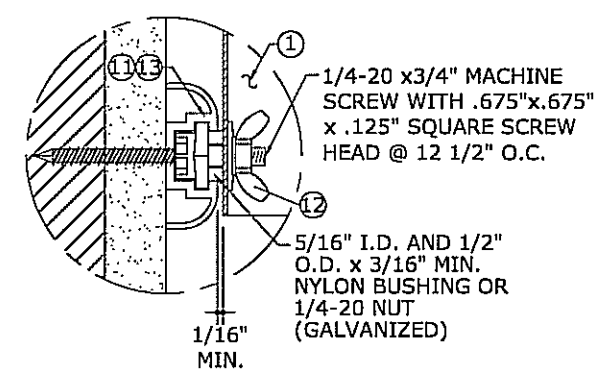
REMARKS: THIS DOCUMENT IS THE PROPERTY OF FRANK L. BENNARDO, P.E. AND SHALL NOT BE REPRODUCED OR TRANSMITTED IN ANY FORM OR BY ANY MEANS, ELECTRONIC OR MECHANICAL, INCLUDING PHOTOCOPYING, RECORDING, OR BY ANY INFORMATION STORAGE AND RETRIEVAL SYSTEM. WITHOUT THE WRITTEN PERMISSION OF FRANK L. BENNARDO, P.E. ALL RIGHTS ARE RESERVED.

COPYRIGHT FRANK L. BENNARDO, P.E.
10-AAS-0002b
 SCALE: 1/8" = 1'-0"
 PAGE DESCRIPTION: 01

F:\01 Project Files\All American Shutters (AAS)\2010\10-AAS-0002\F1L0211 FSA Name Change\05-AAS-0002_01a Non-HVHZ Quick Mount 50 Aluminum Storm Panel.dwg
 keilht
 03/03/2010 - 2:50pm

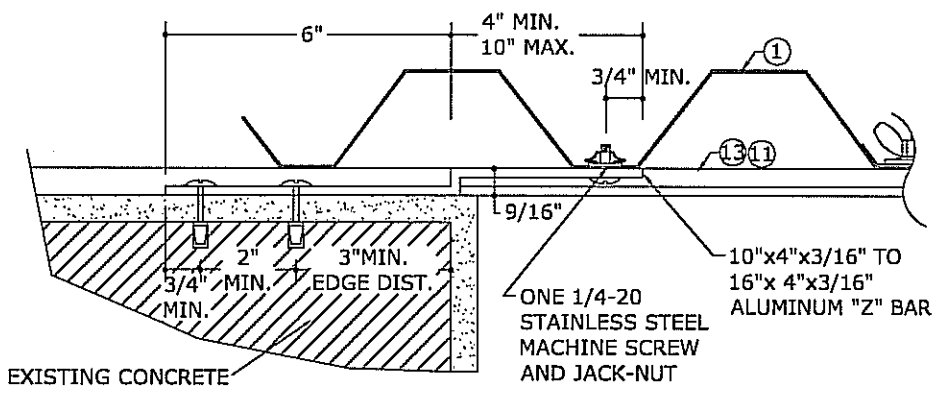


1
4 N.T.S. VERT SECTION
INTERIOR MOUNT C-TRACK ASSEMBLY



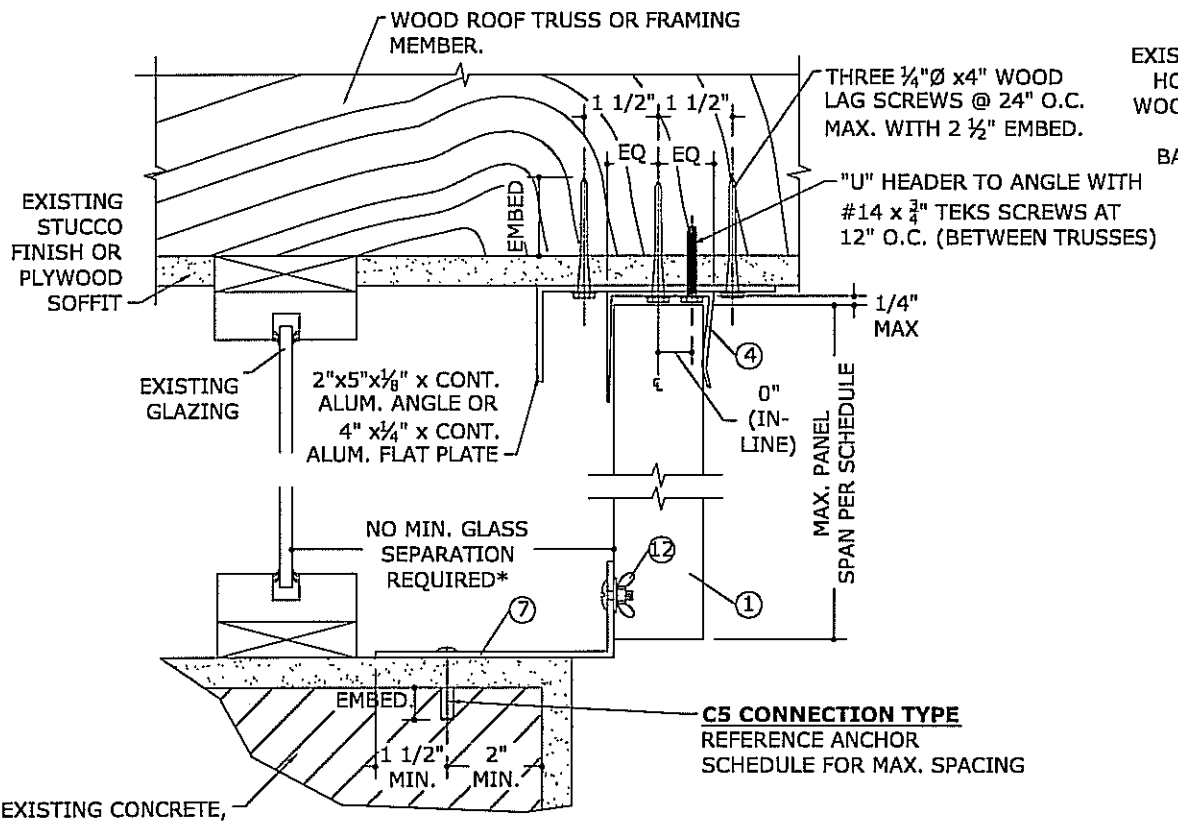
2
4 N.T.S. VERT SECTION
INTERIOR MOUNT "C" TRACK

NOTE: MAX. PANEL HEIGHT IS LIMITED TO 7'-6" AND MAX. DESIGN LOAD IS LIMITED TO ±72 psf. THESE LIMITATIONS ARE APPLICABLE WHEN:
 1. THE NYLON BUSHING OR 1/4-20 GALVANIZED NUT ARE USED, AS SHOWN ON DETAIL "2/4", AND
 2. THE "Z" BAR IS USED TO PREVENT THE PANELS FROM SLIDING SIDWAYS.
 IF THE BUSHING OR 1/4-20 GALVANIZED NUT AND THE "Z" BAR ARE NOT USED, THEN THE ABOVE LIMITATIONS FOR PANEL HEIGHT AND FOR DESIGN LOAD ARE NOT APPLICABLE, AND THE PANEL HEIGHT AND THE DESIGN LOAD SHALL BE LIMITED TO THOSE SHOWN IN TABLE 1.

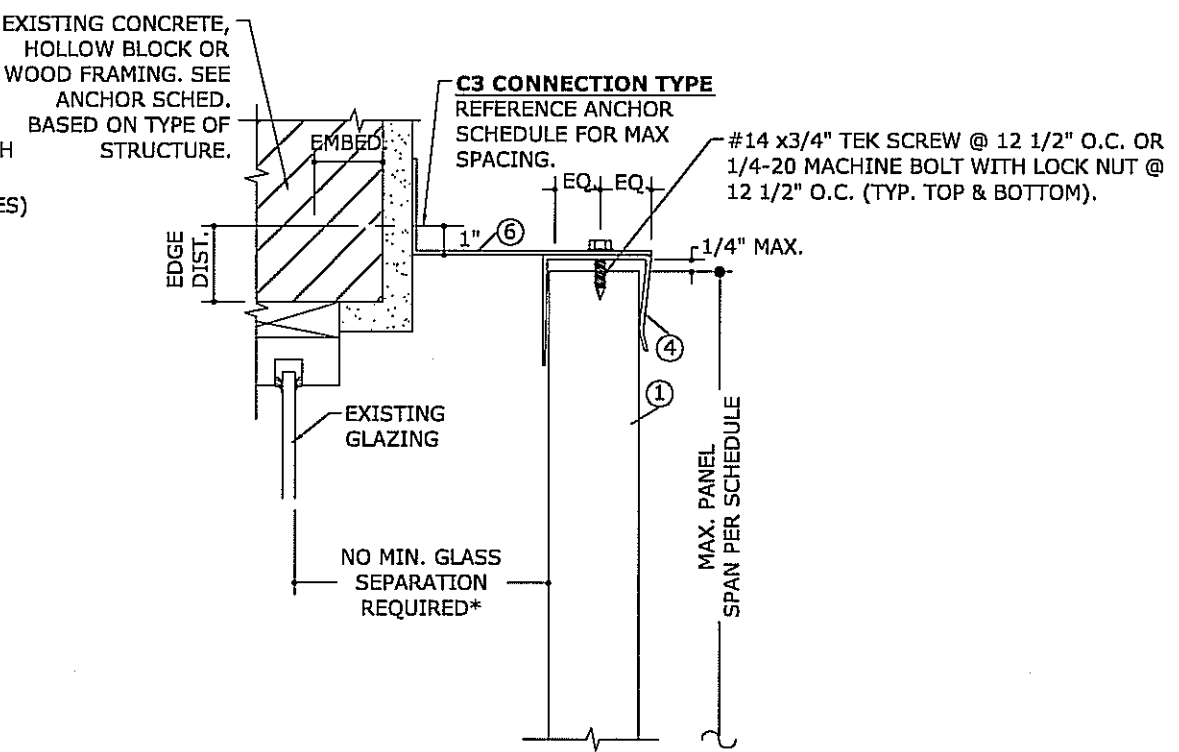


3
4 N.T.S. HORIZ SECTION
INTERIOR MOUNT Z-BAR ASSEMBLY

***NOTE:** NO MINIMUM GLASS SEPARATION REQUIRED WHEN PANEL SPAN IS 36" OR GREATER. FOR SPANS LESS THAN 36", MIN. GLASS SEPARATION SHALL BE 3 1/2"



4
4 N.T.S. VERT SECTION
BUILDOUT MOUNT



5
4 N.T.S. VERT SECTION
BUILDOUT MOUNT

FRANK L. BENNARD, P.E.
 PE0046549
 03/03/2010
 No. 10575
 PROFESSIONAL ENGINEER

ENGINEERING EXPRESS
 STAT OF
 160 SW 12th AVENUE, #105
 DEERFIELD BEACH, FL 33442
 PH: (954) 354-0660 FAX: (954) 354-0043
 WWW.ENGINEERINGEXPRESS.COM
 CERT. OF AUTH. #9885
 A FRANK L. BENNARD, P.E., INC. INNOVATION

ALL AMERICAN SHUTTERS AND GLASS
 1540 DONNA ROAD
 WEST PALM BEACH, FL 33409
 (561) 712-9882
 QUICK MOUNT 50
 ALUMINUM STORM PANEL (NON-HVHZ)
 FLORIDA STATEWIDE APPROVAL

DRWN	CHKD	DATE
IKL	F.L.B.	03/03/10

REMARKS:
 INIT ISSUE

THIS DOCUMENT IS THE PROPERTY OF FRANK L. BENNARD, P.E. AND SHALL NOT BE REPRODUCED IN WHOLE OR PART WITHOUT WRITTEN CONSENT OF FRANK L. BENNARD, P.E. *ALTERNATIONS, ADDITIONS, DELETIONS, OR OTHER MARKINGS TO THIS DOCUMENT ARE NOT PERMITTED AND WILL BE AT THE USER'S RISK.

COPYRIGHT FRANK L. BENNARD, P.E.
10-AAS-0002b
 SCALE: 1/1
 PAGE DESCRIPTION:

OF 6
4

